



RT-5000

ELECTRIC TAPE DISPENSER

OPERATOR'S MANUAL



MORE EASY & FAST

.ezmro

ezmro co., ltd.

RM301, Nonghyup B/D, #18-219, Ulji6-ga, Jung-gu, Seoul, Korea
Tel : 82-2-2263-0510 Fax : 82-2-2277-0510 www.ezmro.co.kr

Please read the user's manual for proper operation. Keep the manual on hand for easy use

Contents

1. Precautions	3
2. Description of parts and functions	4
3. Operational function	
I. Body	5
II. Lcd display	7
4. Operation	
I. How to set the tape on the unit	8
II. How to adjust the tape length	9
III. How to use the operational plate	10
5. Replacing the cutter unit	11
6. Exploded views/ Parts breakdown	12
7. Specifications	16

1 Precautions



Do not touch with wet hands



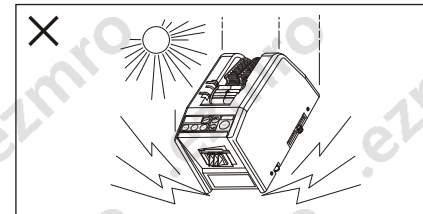
Turn off power before removing the cutter unit.



Do not attempt to repair or replace any part of this appliance unless specifically recommended in this manual.

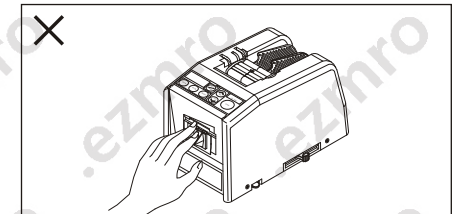


Install the dispenser on a flat surface.

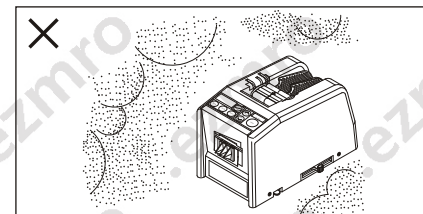


Do not leave the tape dispenser in direct sunlight.

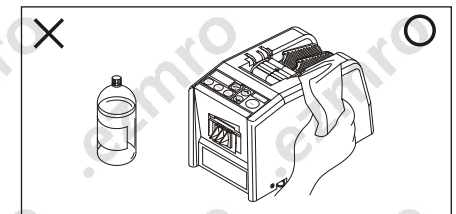
Do not drop the tape dispenser or subject it to heavy shocks.



Do not insert your fingers, bars, or plates into the tape outlet.

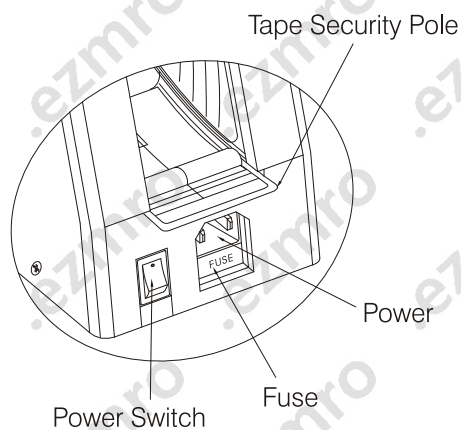
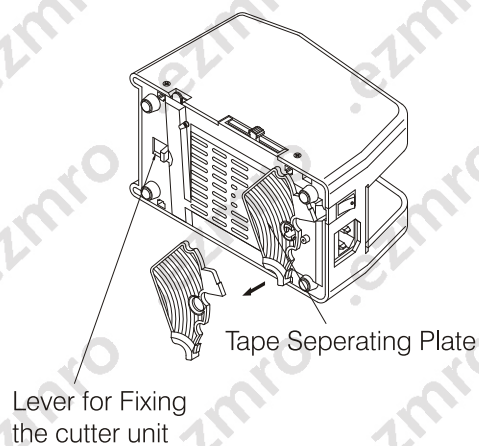
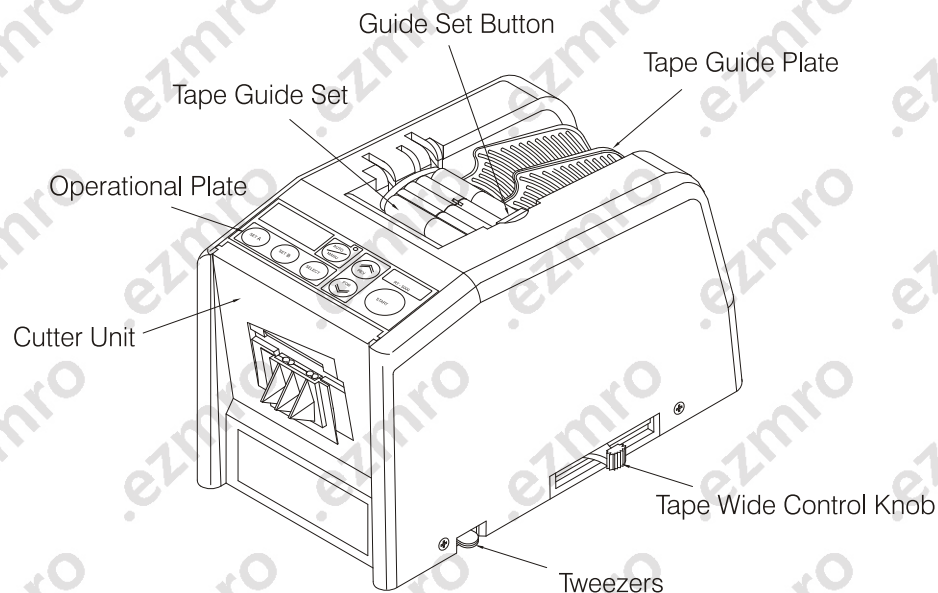


Do not use the tape dispenser in humid or dusty places.



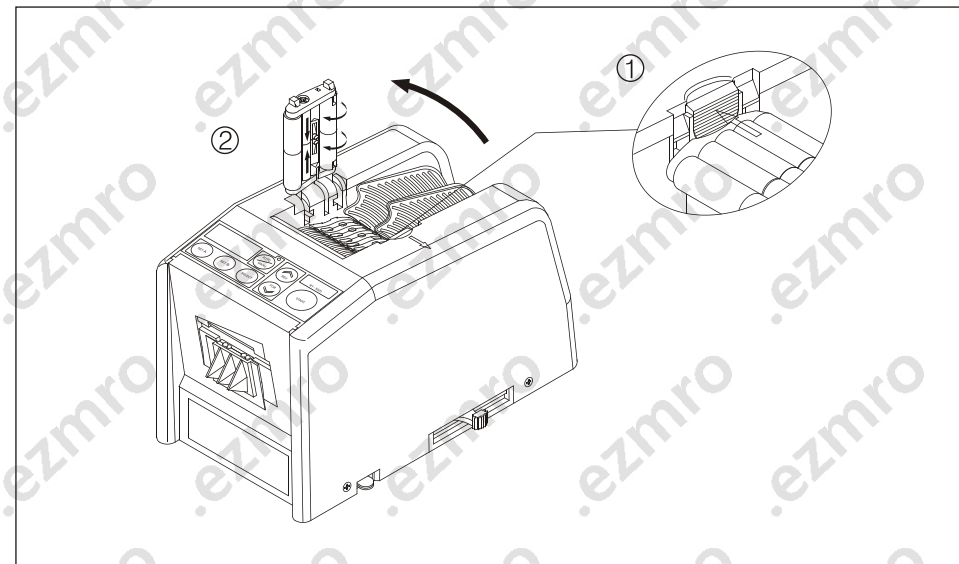
Do not use volatile liquids (thinner, benzene, etc.) to clean the dispenser. Wipe with dry cloth only.

2 Description of parts and functions



3 Operational function

I. Body

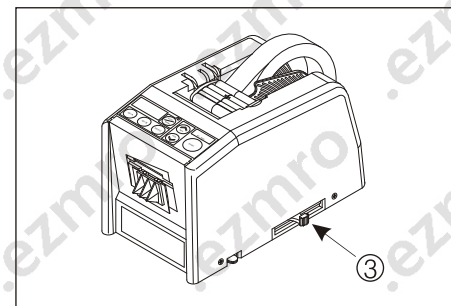


1) Guide Set Button

To raise the guide set up when setting tape

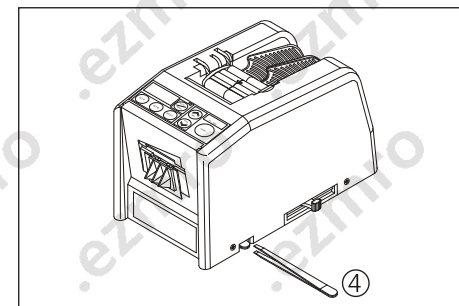
2) Function of Guide Sets

If the tape curls or slips, widen both lever in the opposite direction. In general, gather the both lever to the center.



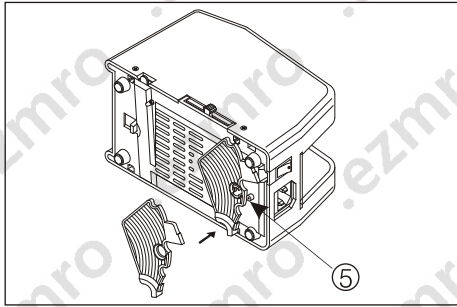
3) Tape Wide Control Knob

To make fit guide plate to the loaded tape width.

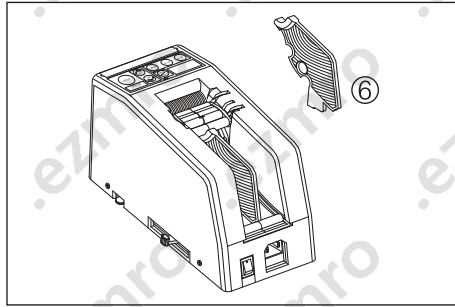


4) Tweezers

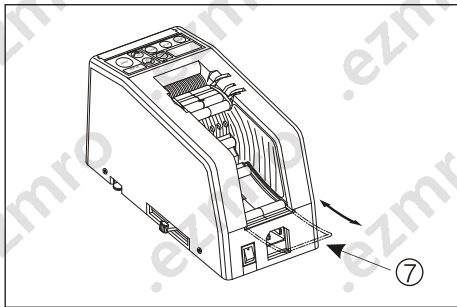
Easily pick up the cut tapes in short length



5) Not in use separating plate
 Attache the plate to the knob on the bottom.

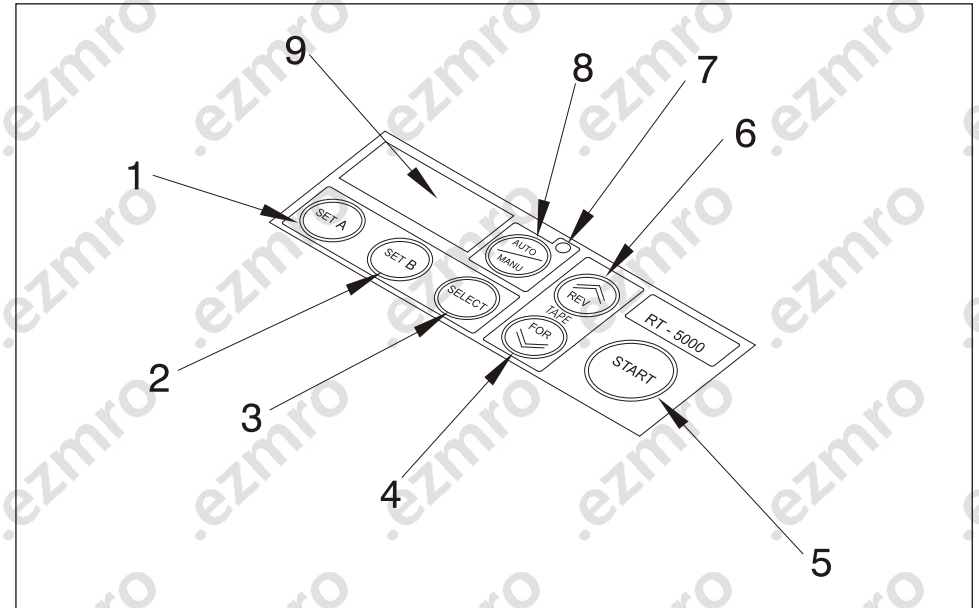


6) Tape separating plate
 When using 2 different types of tapes



7) Tape Security Pole
 When using the big outside diameter, pull back it to support tapes.

II. LCD Display



1 (SET A)

- Adjust the digit in LCD Display

2 (SET B)

- Adjust the tape length(mm)
 - Change the operating mode in P or L
 P: Auto, Manual
 L: Continuous operation
 - Adjust the desired cut piece figure
 (When setting the cut piece figure in "0",
 press (SET B) key for 3 seconds until
 "0000" display)

3 (SELECT)

- Set tape length & cut piece figure
 Operate P, L mode

4 (FWD) (Forward)

- Feed tape toward

5 (START)

- Feed tape and cuts automatically/
 manually

6 (REV) (Reverse)

- Rewind the tape away from cutter area

7 (LED) (Led Lamp)

- The lamp lights in auto mode

8 (Auto/ Manual)

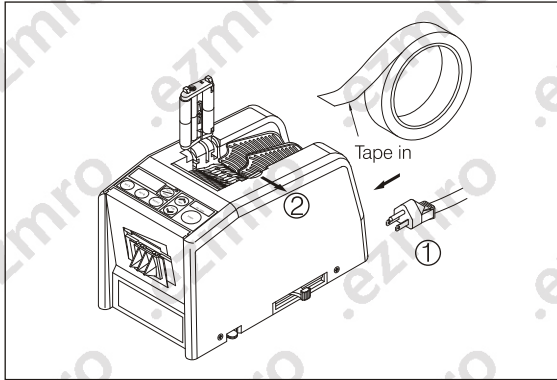
- Change the operating mode in auto/
 manual

9 (LCD)

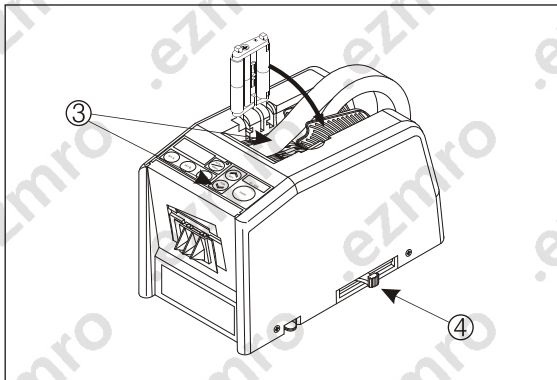
- Display cut piece figure, tape length

4 Operation

I. How to set the tape on the unit



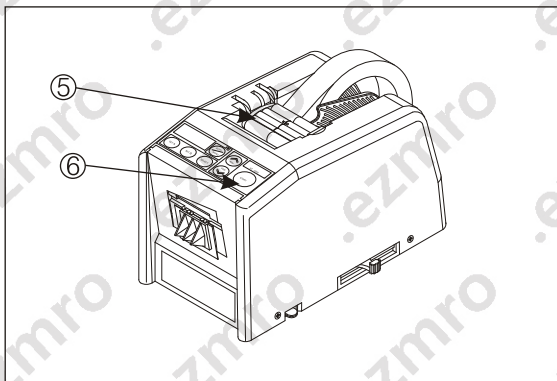
- 1 Plug in power cord and turn on the unit.
- 2 When pushing the Guide Set Button, the Guide Set is raised up.



- 3 Set the tape on the unit and stick the end of the tape onto the feed roller. Press the (FWD) key until the tape feeds through cutting unit.

If the tape will not feed through the cutter, fold corners of the tape to form a triangle shape and re-feed.

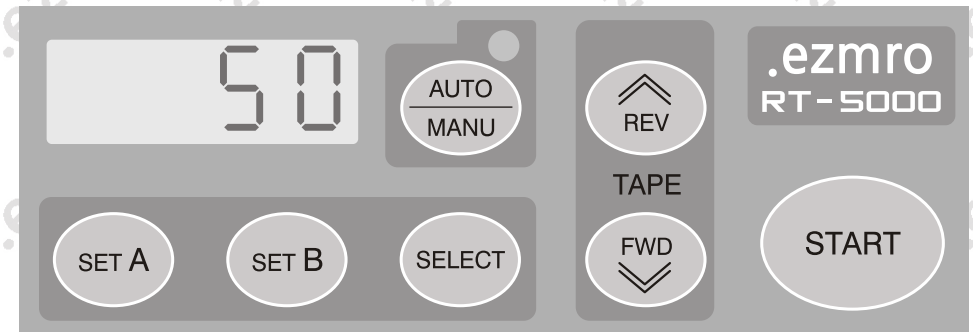
- 4 Make fit the tape by the Tape Wide Control Knob.



- 5 Close the Safety Cover
- 6 Press the (Start) key to cut the tape. The tape will be fed to set length & cut piece figure and cut. When the piece of tape is removed from machines, another piece will be fed and cut.

II. How to adjust the tape length

- 1) The tape length is preset in 5mm
- 2) For example (length 50mm)
 - Press the (SET A) key and the last digit flashes
 - Set the last digit on "0" by using (SET B)
 - Press (SET A) key again and the third digit flashes.
 - Set the third digit on "5" by using (SET B)
 - Press the (SET A) key and the second digit flashes.
 - After setting the length in 50mm, Led Display stops flashing after 3 seconds.
 - When (LED) lamp flashes by using (AUTO/MANUAL) key, press (START) key to cut the tape in preset length in 50mm.
 - The lamp lights and the unit feeds the tape automatically.



III. How to use the operational plate

1) Using **(SELECT)** key

First pushing controls the cut length (5), and next pushing the cut piece figure(0000).

Set the cut piece figure to "0" by pressing **(SET B)** key for 3 seconds.

2) Using **(AUTO/MANUAL)** key

When pressing **(AUTO/MANUAL)**, the led lamp flashes, and then press **(START)** key, the unit change in auto mode. (when the light is on, the unit is auto mode)

Pressing **(AUTO/MANUAL)** key again, the unit change in manual mode.

3) Using **(REV)** key

When removing the tape, raise the Guide Set up and push **(REV)** key twice.

4) Change the mode in P/L by using **(SELECT)** key

<Common function>

- Preset the cut piece figure you want.
- When press **(SELECT)** key for 3 seconds, the mode change into cut length.
- On "0" the unit automatically return to preset figure with a buzz.

- Pressing **(SELECT)** key for 3 seconds, the Led display 'P0000'
- Pressing **(SET B)** key shortly, you can change the mode into "L" or "P"
- Pressing **(SELECT)** key for 3 seconds again, the Led display cut length

- * P: Auto/Manual - Adhesive tapes
- * L: Continuous operating - Non-adhesive tapes

5) Troubleshooting

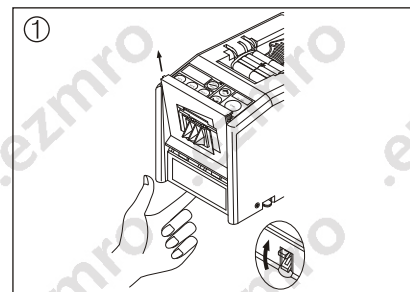
"E-1" with a buzz : Tape jamming

"E-2" with a buzz : Check the cutter unit

"E-3" with a buzz : Check the motor

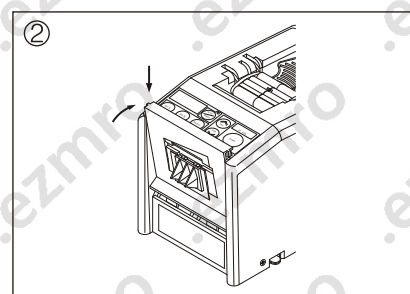
* Press **(START)** key for reset

5 Replacing the cutter unit



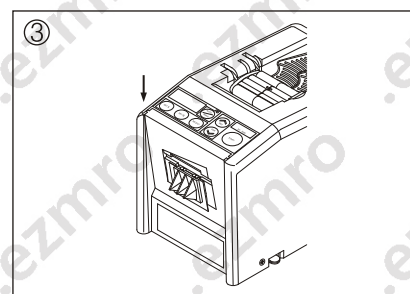
① Remove cutter unit

While pulling the captioned knob forward, the cutter unit is slid up.



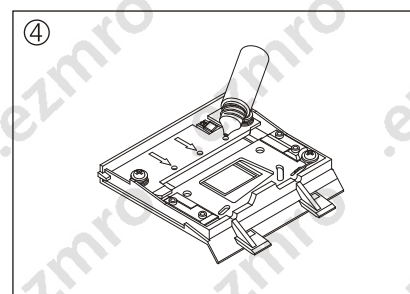
② Remount cutter unit

Mount the cutter unit onto the bottom groove and pushing as shown.



③ Caution

Tightly push until hearing a "click".



④ How to place oils

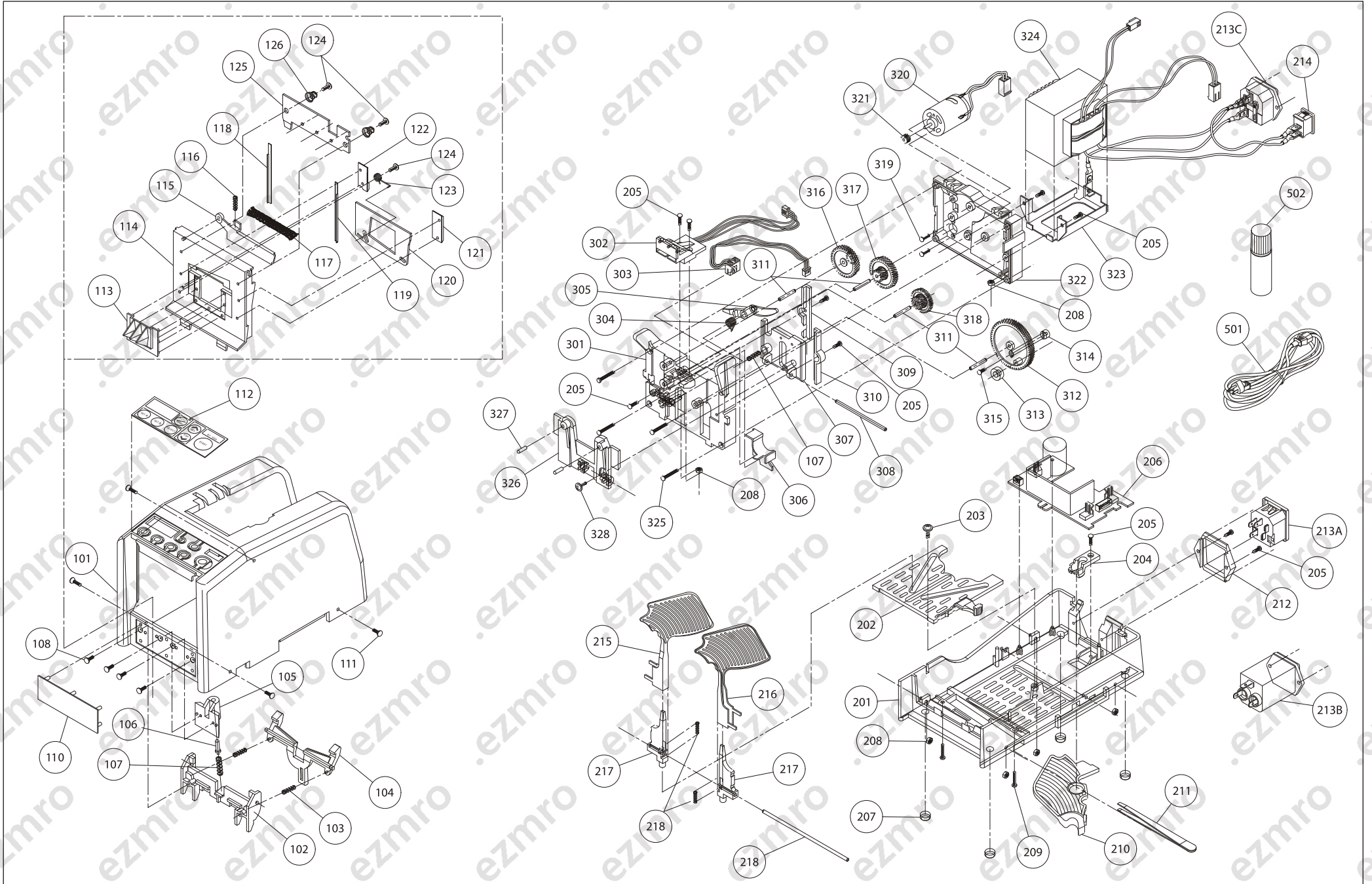
Place 1~2 drop of oils into the 3 holes on the upper blade set.

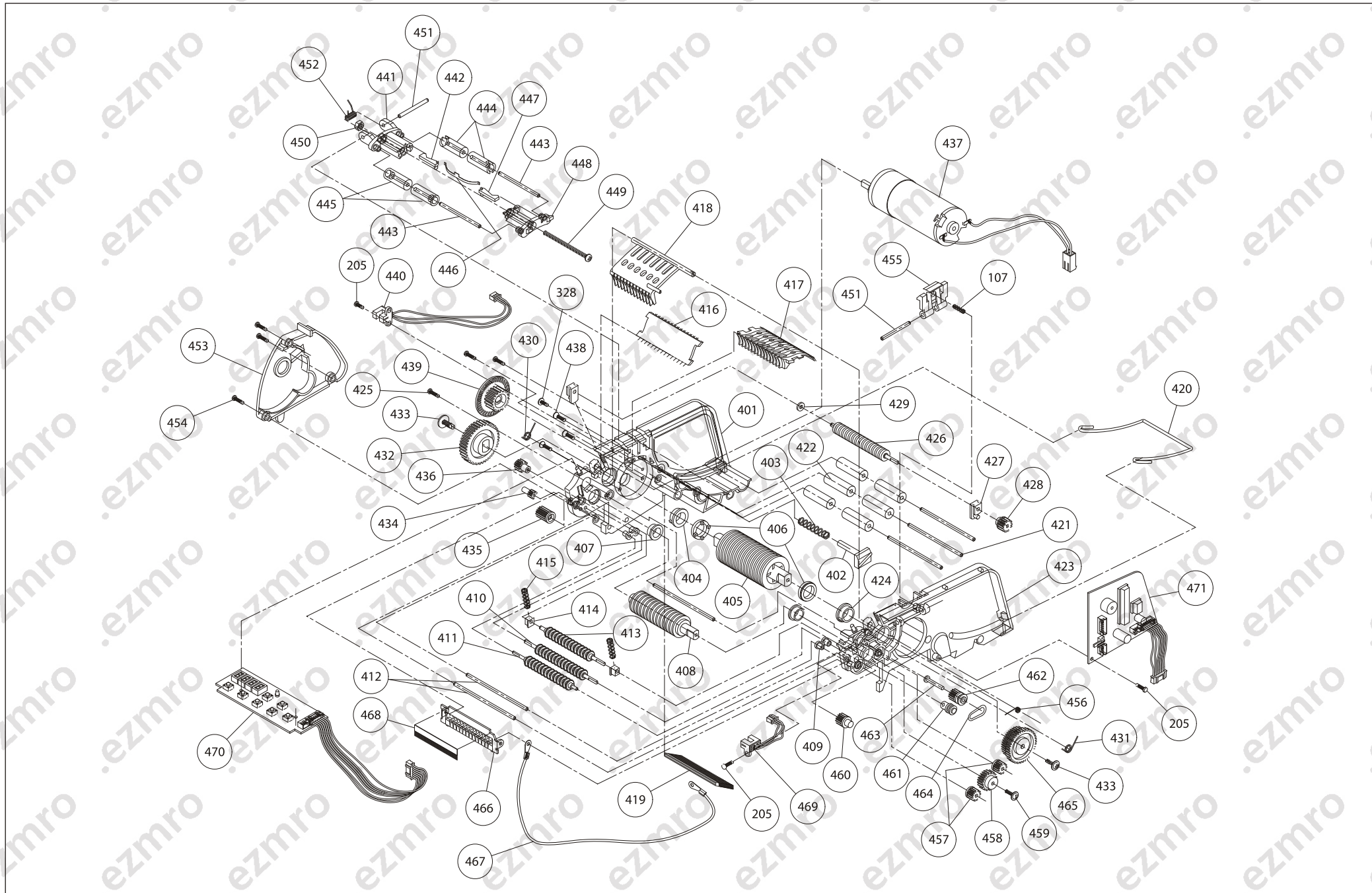


Caution

Turn off Power Switch when replacing cutter unit

6 Exploded views / Parts Breakdown





7 Specifications

Model	RT-5000
Display	4-Digit LED
Cutting Length	5mm to 999mm
Core and Roll Size	Internal Diameter - Any size available Outside Diameter - Up to 350mm(14")
Ambient Temperature	5°-40°C (41-104°F)
Power Requirement	AC 110 / 220V 50/60Hz 25W
Dimensions	115(W) × 215(D) × 130(H)mm < 4.52(W) × 5.11(D) × 8.46"(H)
Weight	3.0kgs(6.1lb)

Recommended Tapes

- Cellophane Tape, Paper Tape, Cotton Cloth Tape, PP Tape, Acetate Cloth Tape, Masking Tape, Double Sided Tape, And More!
- Flat Tube stock, Thermal Ribbon, Electric Wire, Ect..

.....MEMO.....